

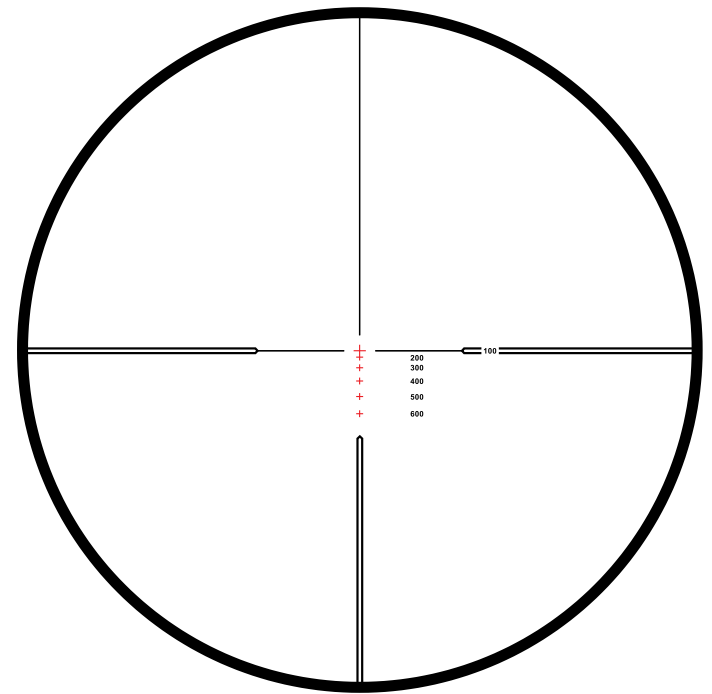
30mm Mono-tube
Optical System: 3-9×
Objective: 42mm
Reticle: .223/.308 Marksman
Illumination: Red / Green - 5 Levels
Focus/Parallax: Side Focus - 9m / 10yds to Infinity

Field of View: m @100m / ft @100yds 14.1-4.4m / 42.2-13.1ft
Eye relief: 90mm / 3.5"
Length: 329mm / 13"
Weight: 565g / 19.9oz
Waterproof, Shockproof, Nitrogen purged.
All calibre rated.

.223/.308 MARKSMAN RETICLE (9×)

.223/.308 Marksman reticles are designed to be accurate when the scope in use is adjusted to the maximum magnification. The prominent center cross is used as the 100 yard zero. Once zeroed, the remaining hold-over aim points, out to 600 yards, fall into place.

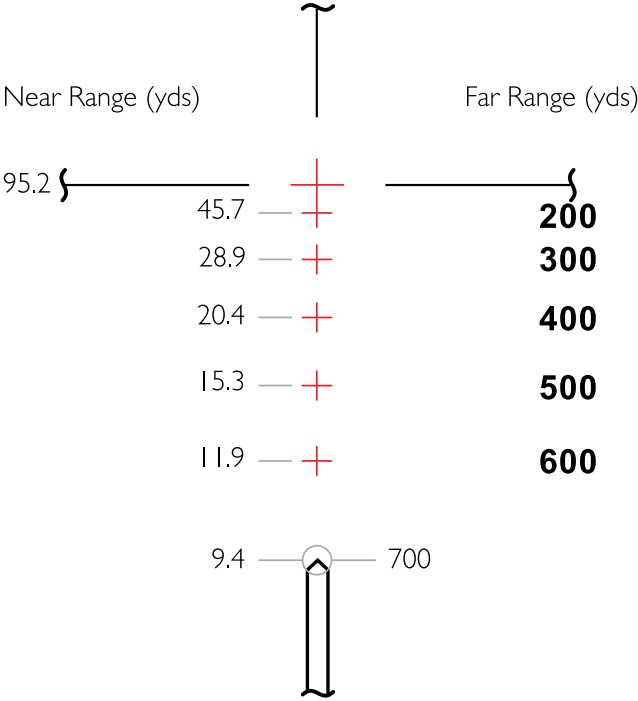
Even the 100 yard markers are glass etched for your reference. Hawke has carried out the complicated ballistic math, so you don't have to!



[MORE RETICLE INFORMATION](#)

PRESET CORRECT: @ 9.0×

Muzzle Velocity: 2790 ft/s
Ballistic Coefficient: 0.4010
Zero(ed) Range: 100 yds
Scope Height: 2.35"



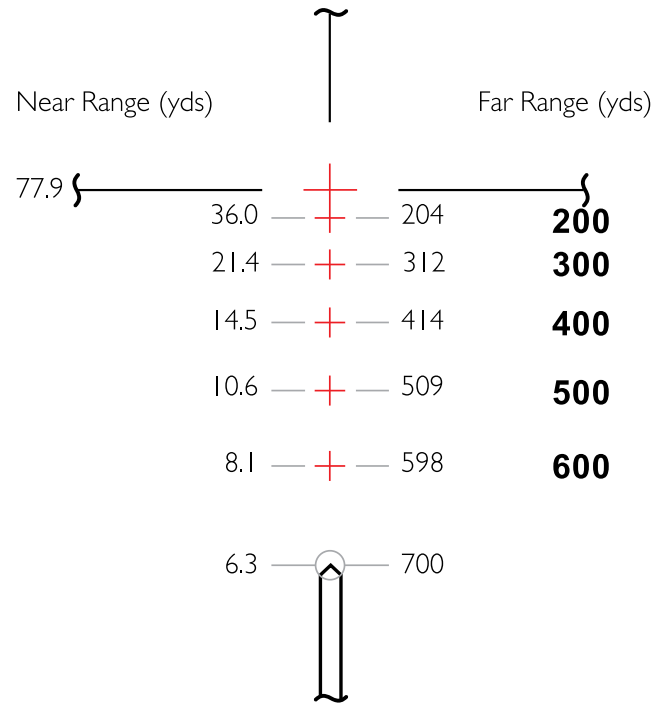
AMMO TYPE: .223 55gr Hornady TAPSM FPDTM

Muzzle Velocity: 3240 ft/s

Ballistic Coefficient: 0.2542

Zero(ed) Range: 100 yds

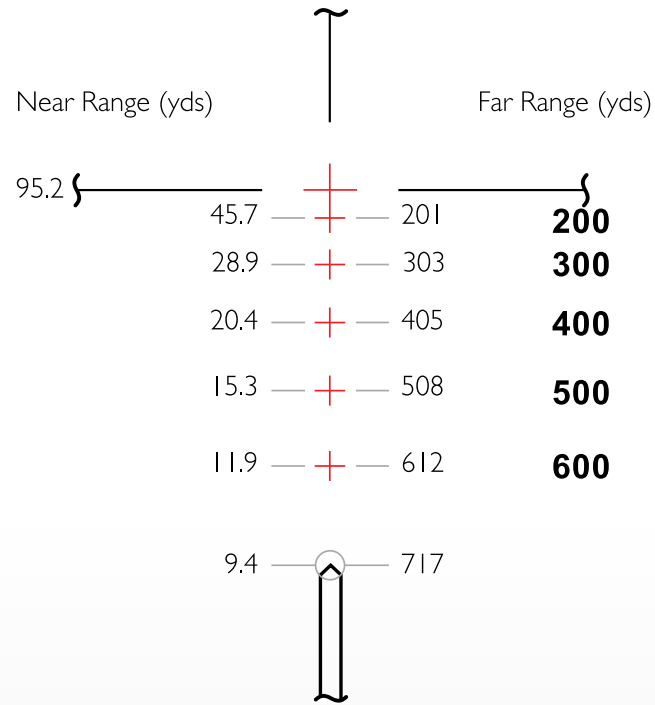
Scope Height : 15.0"

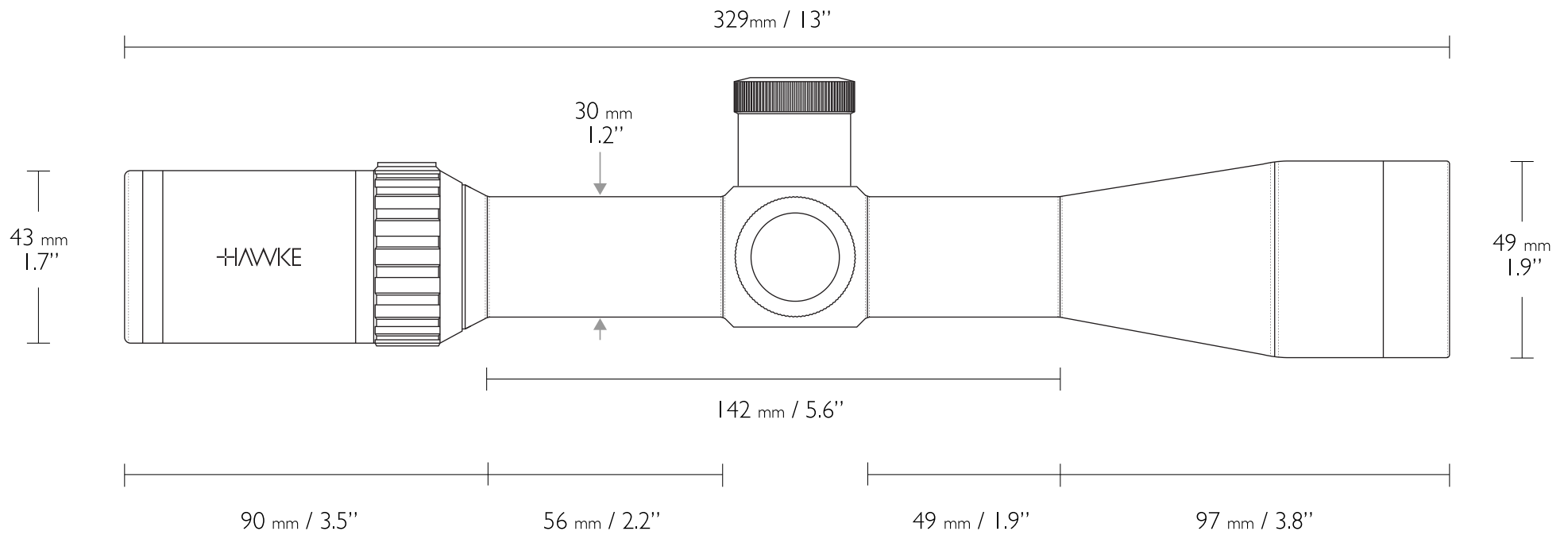


AMMO TYPE: .308 155gr Hornady TAP[®] FPD[™]

Muzzle Velocity: 2785 ft/s

Ballistic Coefficient: 0.4336
Zero(ed) Range: 100 yds
Scope Height : 2.35"





Material: Aluminum

Exit Pupil: 14-4.7mm / 0.55-0.19"

Ocular Type: Fast Focus

Lens Coating: Fully Multi-Coated - 11 Layers

Power Selector Style: Knurled Posi-Grip

Focal Plane: First Focal Plane (FFP)

Warranty: Hawke Worldwide Warranty

Elevation Increment: ¼ MOA

Elevation Adjustment Range: 120 MOA

Windage Increment: ¼ MOA

Windage Adjustment Range: 120 MOA

Turret Caps: NO

Turret Type: Exposed, Locking

SUPPLIED WITH



Box



Instruction Manual



Riflescope Alignment Booklet



Lens Covers

